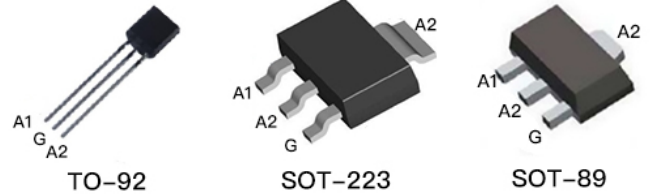


## Description

Available in high power packages, the suitable for general purpose AC switching.

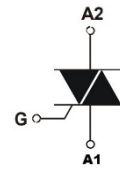
## Features

- Good performance at dv/dt and reliability
- Low thermal resistance with clip bonding
- High commutation capability



## Applications

- General purpose AC switch control
- Control loads in Motor, Fan, and Pump.
- Solenoid drivers
- LED Dimming
- Inrush current limiting circuits



## Absolute Maximum Ratings ( $T_A=25^\circ\text{C}$ )

Rating		Symbol	Value
Peak repetitive off-state voltage		$V_{\text{DRM}}$ $V_{\text{RRM}}$	950V
On-state RMS current (full sine wave)		$I_{\text{T(RMS)}}$	1A
Non repetitive surge peak on-state current (full cycle, $T_{\text{initial}} = 25^\circ\text{C}$ )	$F=60\text{Hz}$ , $t=16.7\text{ms}$	$I_{\text{TSM}}$	12A
$I^2t$ Value for fusing	$t_p=10\text{ms}$	$I^2t$	$0.6\text{A}^2\text{s}$
Non repetitive surge peak off-state voltage	$t_p=10\text{ms}$ , $T_J=25^\circ\text{C}$	$V_{\text{DSM}}/V_{\text{RSM}}$	$V_{\text{DRM}}/V_{\text{RRM}}+100\text{V}$
Peak gate current	$t_p=20\mu\text{s}$ , $T_J=125^\circ\text{C}$	$I_{\text{GM}}$	2A
Average gate power dissipation	$T_J=150^\circ\text{C}$	$P_{\text{G(AV)}}$	1W
Operating junction temperature ranges		$T_J, T_{\text{STG}}$	$-40^\circ\text{C}$ to $+125^\circ\text{C}$
Storage junction temperature range		$T_{\text{STG}}$	$-40^\circ\text{C}$ to $+150^\circ\text{C}$

Note:

1.  $V_{\text{DRM}}$  and  $V_{\text{RRM}}$  for all types can be applied on a continuous basis.

Blocking voltages shall not be tested with a constant current source such that the voltage ratings of the devices are exceeded.

### Electrical Characteristics ( $T_J=25^{\circ}\text{C}$ , unless otherwise specified)

Parameter		Symbol	Value
$V_D=12\text{V}, R_L=100\Omega$	I-II-III	$I_{GT \text{ Max.}}$	10mA
	ALL	$V_{GT \text{ Max.}}$	1.1V
$V_D=V_{DRM}, R_L=100\Omega, T_J=125^{\circ}\text{C}$	ALL	$V_{GD \text{ Min.}}$	0.25V
$I_T=100\text{mA}$		$I_H \text{ Max.}^{(1)}$	20mA
$I_G=1.2I_{GT}$	I-III	$I_L \text{ Max.}$	20mA
	II		40mA
$V_D=67\%V_{DRM}$ gate open, $T_J=125^{\circ}\text{C}$		$dv/dt \text{ Min.}^{(1)}$	100V/ $\mu\text{s}$

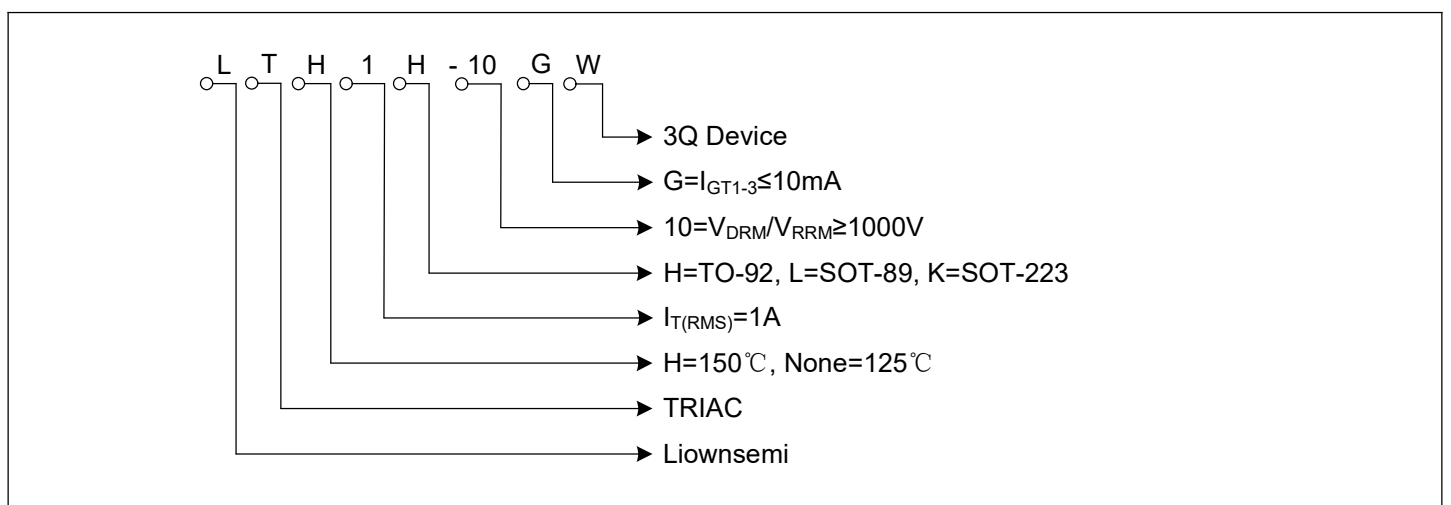
1. for both polarities of A2 referenced to A1

### Static Characteristics

Test conditions	Symbol	Value
$I_{TM}=1\text{A}, t_p=380\mu\text{s}, T_J=25^{\circ}\text{C}$	$V_T \text{ Max.}^{(1)}$	1.6V
$V_{DRM}=V_{RRM}, T_J=25^{\circ}\text{C}$	$I_{DRM \text{ Max.}}$	5 $\mu\text{A}$
$V_{DRM}=V_{RRM}, T_J=125^{\circ}\text{C}$	$I_{RRM \text{ Max.}}$	0.5mA

1. for both polarities of A2 referenced to A1

### Part Number Code



## Ordering Information

Part Number	Marking	Package
LTH1H-10GW	LTH1H-10GW	TO-92
LTH1L-10GW	LTH1L-10GW	SOT-89
LTH1K-10GW	LTH1K-10GW	SOT-223

## Dimensions

TO-92	Symbol	Millimeters	
		Min.	Max.
	A	4.45	5.20
	B	4.32	5.33
	C	3.175	4.191
	D	1.143	1.397
	E	2.413	2.667
	F	12.70	-
	G	2.04	2.66
	H	3.43	-

SOT-89	Symbol	Millimeters	
		Min.	Max.
	A	4.40	4.60
	B	2.40	2.60
	C	1.65	1.75
	D	0.43	0.53
	D1	0.35	0.45
	E	2.95	3.05
	F	0.82	0.83
	G	0.82	0.83
	H	4.05	4.25
	T	1.40	1.60
	T1	0.35	0.45

**Dimensions**

SOT-223	Symbol	Millimeters	
		Min.	Max.
	A	6.40	6.60
	B	3.30	3.70
	B1	6.80	7.20
	C	2.90	3.10
	D	0.65	0.75
	E	2.30 BSC	
	T	1.50	1.70
	T1	0.02	0.10
	T2	0.20	0.30

**Important Notice and Disclaimer**

LIOWN has used reasonable care in preparing the information included in this document, but LIOWN does not warrant that such information is error free. LIOWN assumes no liability whatsoever for any damages incurred by you resulting from errors in or omissions from the information included herein.

LIOWN no warranty, representation or guarantee regarding the documents, circuits and products specification, LIOWN reservation rights to make changes for any documents, products, circuits and specifications at any time without notice.

Purchasers are solely responsible for the choice, selection and use of the LIOWN products and services described herein, and LIOWN assumes no liability whatsoever relating to the choice, selection or use of the products and services described herein.

No license, express or implied, by implication or otherwise under any intellectual property rights of LIOWN.

Resale of LIOWN products with provisions different from the statements and/or technical features set forth in this document shall immediately void any warranty granted by LIOWN for the LIOWN product or service described herein and shall not create or extend in any manner whatsoever, any liability of LIOWN.